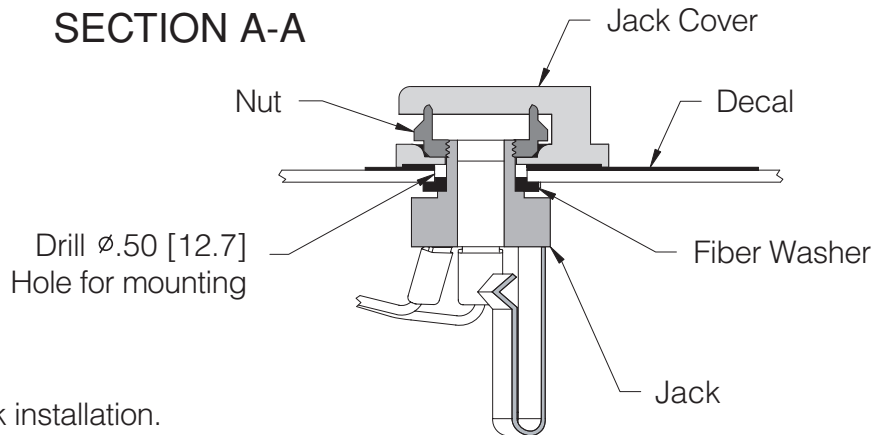
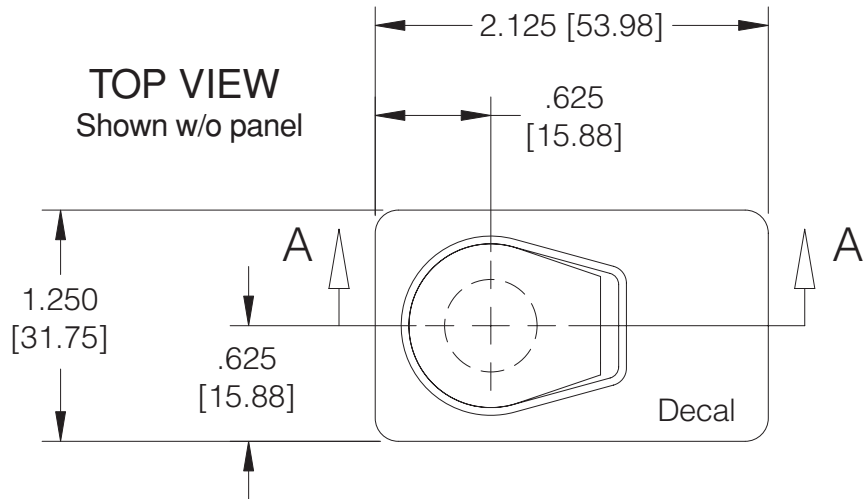


Cable Assy: Panel Mount Jack to RJ Connector.

P/N: 103-0750-00

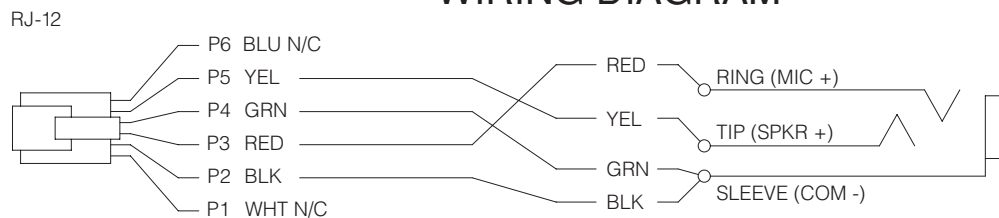
Units: Inches [millimeters]
Scale: None



Installation Notes

1. Drill ø.50 [12.7] hole for jack installation.
2. The jack and cover must be electrically isolated from the panel.
Install the fiber washer and decal as shown.

WIRING DIAGRAM



Flightcom Corporation
7340 SW Durham Road, Portland, OR 97224 USA
www.flightcom.net • e-mail: sales@flightcom.net
800-432-4342 or 503-684-8229